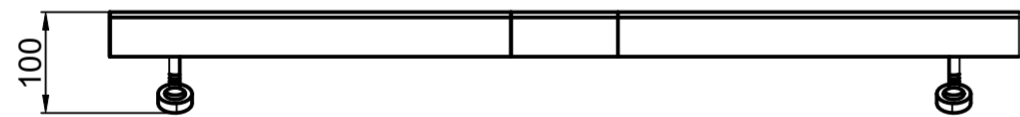
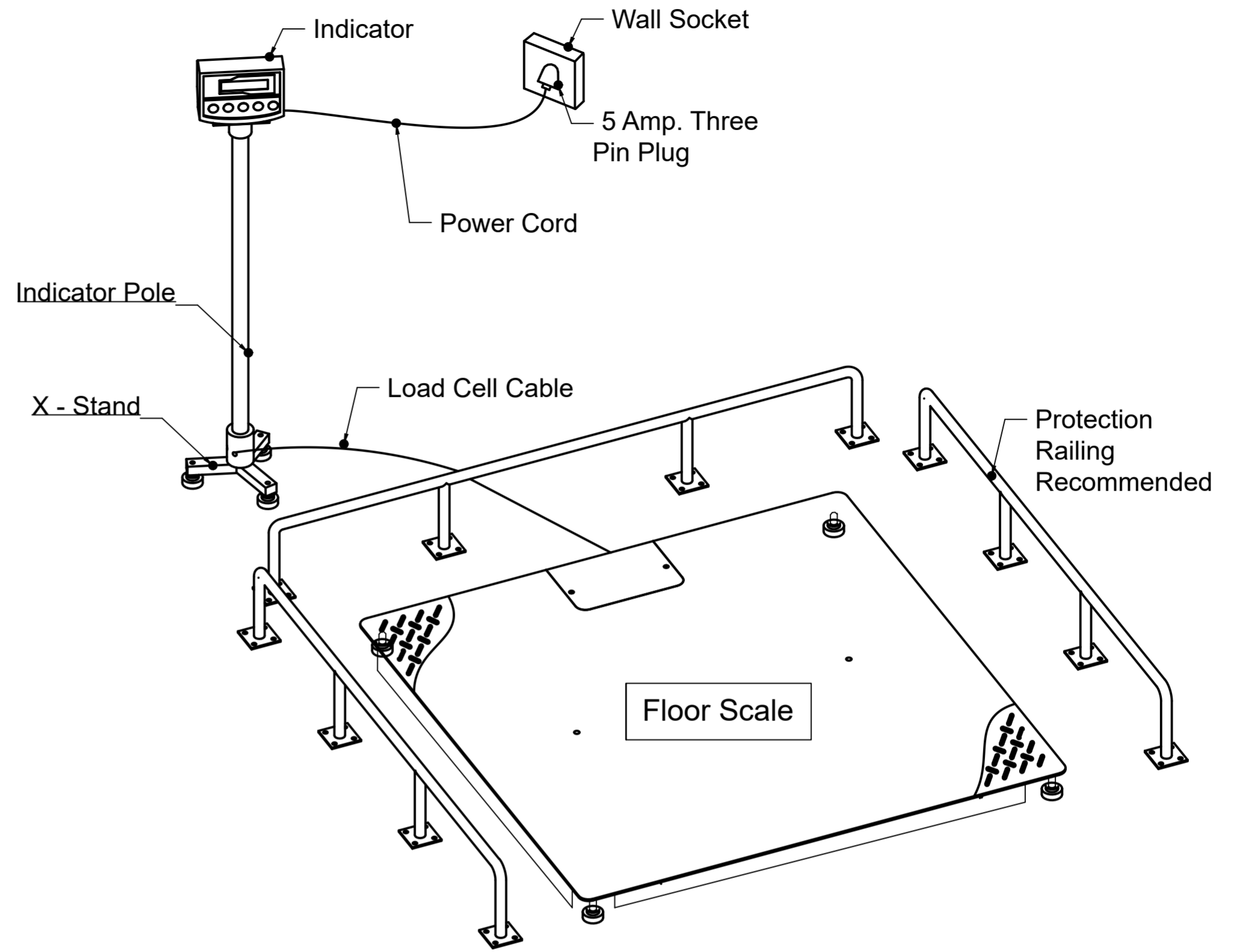


Top View


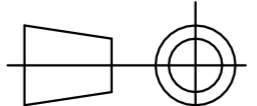


Side View



Note : The above protection railing is recommended for protecting the scale from over-stacking of material and also for protection from accidental overloading by vehicular movements.

All dimensions are in mm unless specified otherwise.

| REV. NO. | DATE | DESCRIPTION OF REVISION | DRAWN | CHECKED | APPROVED | | | |
|--|------|--|---|-------------|----------|-------|-----------|------|
| DISCLAIMER: THIS DRAWING IS A PROPERTY OF E.G. KANTAWALLA PVT.LTD. MODIFICATION OR REPLICATION WITHOUT CONSENT IS AN OFFENCE. THE DRAWING IS SUBJECTED TO CHANGE WITHOUT ANY PRIOR NOTICE. | | ACCURATE MEEZAN TRADING LLC  | | | | | | |
| REFERENCE DRAWING | | PO BOX ,40646,OFFICE#1909,19th FLOOR, CHURCHILL TOWER 1-COMMERCIAL, BUSINESS BAY, DUBAI-U.A.E | | | | | | |
| | | TITLE | LINE DIAGRAM FOR FLOOR SCALE 1200 x 1200 | | | | | |
| | | DWG. NO. | AMT-09 | | | | | |
| DRAWN BY | PNS | 06/03/26 |  | WEIGHT (Kg) | FORMAT | SCALE | SHEET NO. | REV. |
| CHKD. BY | SHW | 06/03/26 | | | A2 | NTS | 1 of 1 | 00 |
| APPR. BY | SHW | 06/03/16 | | | | | | |