



Ergonomic rubber handle ensures a comfortable easy operation.

Safe parking in any situation

Adjustable forks to coordinate with different requirements.

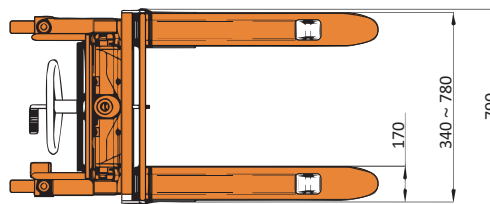
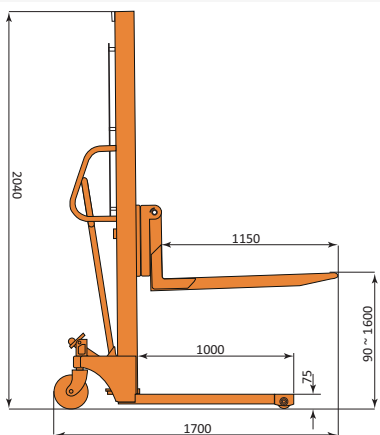
Effortless and quick lifting for using foot pedal without loads

## Hand Stacker

# HAND STACKER

Eagle Hand Stacker is hand push & hand lift stacker which provides cost-effective handling for both vehicle loading and production areas. Eagle Hand Stacker has the features of easy structure, flexible operation, and high explosion proof security. This kind of equipment can be used in some special area, for example, narrow aisle and other small space. Easy maintenance and low running costs.

- ✓ C- type steel is used on the mast, which ensures higher strength. Especially for double mast series, it is more stable when lifting.
- ✓ All series trucks are equipped with stretched safety grid, the grid and mounting screws are integrated, it is not easy to fall and keeps safer and more convenient.
- ✓ Widened rear wheel frame can better protect the operator from being injured. Adjustable fork is opted.
- ✓ Standard Eagle handle with even more scientific ergonomic design, improves the comfortable ness and reduces the fatigue.
- ✓ Open bottom pallets only.



Model	EHS 1516	EHS 1530
Capacity(kg)	1500	1500
Max. lifting height(mm)	1600	3000
Lowered height of forks(mm)	90	90
Fork length (mm)	900	900
Adjustable Width of fork(mm)	360-740	340-750
Lifting speed(mm/stroke)	14	14
lowering speed(mm/stroke)	Controllable	Controllable
Outer width of front legs (mm)	690	690
Operation power of crank(kg)	32	32
Min. refuel volume of fuel tank(L)	2	2
Front wheel size(mm)	φ75x70	φ75x70
Rear wheel size(mm)	φ180x50	φ180x50
Overall size(mm)	2040x780x1470	2150x785x1470
Self Weight(kg)	250	280